

# KN 701 DIGITAL TEMPERATURE CONTROLLER

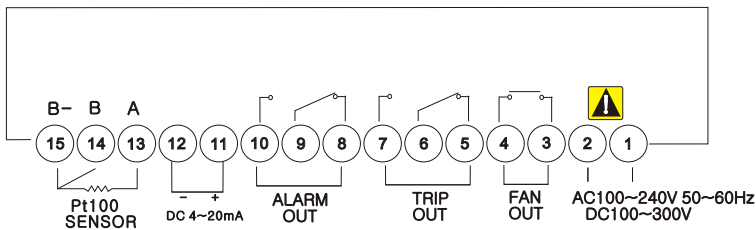
- FREE VOLTAGE  
(AC100~240V(±10%) 50~60Hz, DC 100~300V USED)
- SIZE 164(W)X81.5(H)X117(D)mm
- 1 SENSOR INPUT(Pt100Ω)
- PROGRAM TYPE FUNCTION  
(SETTING VALUE)
- TEMP, MAX FUNCTION
- DATA STORAGE FUNCTION
- FAN AUTO/ MANUAL RUN FUNCTION
- RTD(PT100Ω) 1EA



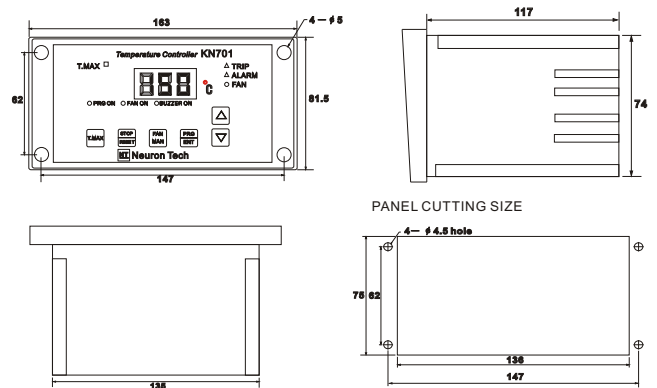
## SPECIFICATION

- |   |   |
|---|---|
| <ul style="list-style-type: none"> <li>◆ ACCURACY<br/>+/- 0.5 °C (Full Scale)</li> <li>◆ INPUT<br/>1 INPUT Pt100Ω-3Wires (DIN IEC 751)</li> <li>◆ TEMPERATURE MEASURING RANGE<br/>-50~250 °C</li> <li>◆ INPUT MEASUREING CYCLE(조정가능)<br/>100m SEC</li> <li>◆ AMBIENT TEMPERATURE<br/>OPERATION -5to55 °C</li> <li>◆ AMBIENT HUMIDTIY<br/>OPERATION 10 to 90% RH</li> <li>◆ TEMPERATURE INDICATION<br/>1 °C</li> <li>◆ OUTPUT CONTACTS CAPACITY<br/>TRIP,ALARM AC 250V 5A (Resistance Load)<br/>FAN AC 250V 10A(Resistance Load)<br/>CONTACT DC 30V 5A(Resistance Load)</li> <li>◆ ANALOG OUTPUT (OPTION)<br/>DC 4~20mA (Load Resistance Max 500Ω)<br/>(INPUT/OUTPUT ISOLATION) (0~200 °C)(RANGE)</li> </ul> | <ul style="list-style-type: none"> <li>◆ DATA STORAGE<br/>10YEARS</li> <li>◆ SERIAL COMMUNICATION (OPTION)<br/>RS-485 ISOLATION MODBUS RTU</li> <li>◆ POWER SUPPLY<br/>AC100 to 240V(±10%) 50~60Hz,DC100~300V</li> <li>◆ DIELECTRIC STRENGTH<br/>AC2000V for 1min</li> <li>◆ POWER CONSUMPTION<br/>10VA</li> <li>◆ INSULATION RESISTANCE<br/>500V DC 100M ohm Minimum</li> <li>◆ WEIGHT<br/>750g</li> </ul> |
|---|---|

## TERMINAL CONNECTION



## EXTERNAL DIMENSION



※주의※ 제품의 성능향상을 위하여 제품내용 및 사양은 통보없이 변경될 수 있습니다.

※Caution※ Product contents and specifications are subject to change without notice to improve product performance.