

# KN 703-A DIGITAL TEMPERATURE CONTROLLER

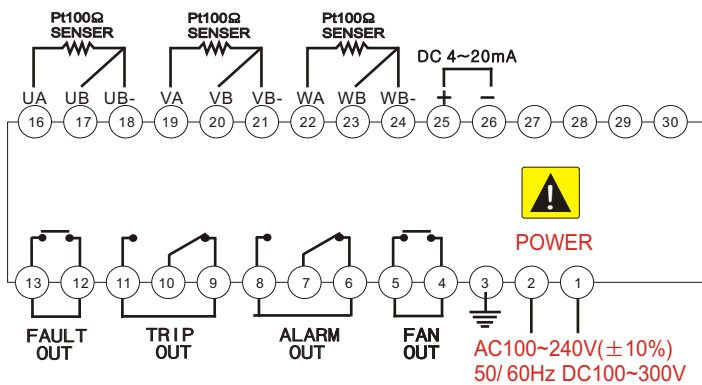
- FREE VOLTAGE  
(AC100~240V(±10%) 50/60Hz,DC 100~300V USE)
- SIZE 164(W)X 81.5(H)X117(D)mm
- 3 SENSOR INPUT(Pt100Ω)
- PROGRAM TYPE FUNCTION  
(T.MAX VALUE,SETTING VALUE)
- TEMP, MAX FUNCTION
- DATA STORAGE FUNCTION  
(Displayed as Fault)
- FAN AUTO MANUAL FUNCTION
- INPUT 3 CHANNEL(PT100Ω)



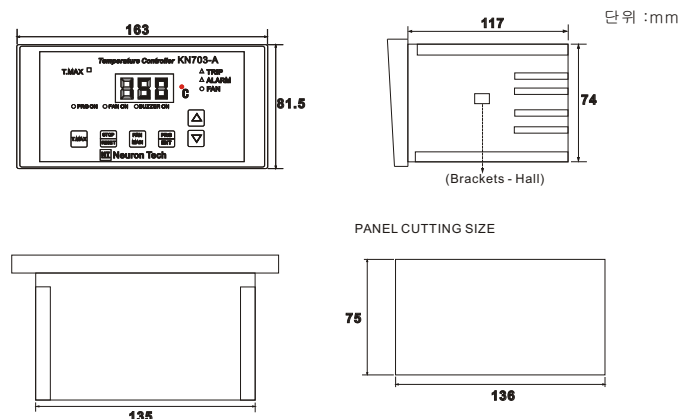
## SPECIFICATION

- |   |  |
|---|--|
| <ul style="list-style-type: none"> <li>◆ DIMENSION<br/>164(W)X 81.5(H)X117(D)mm</li> <li>◆ ACCURACY<br/>+/- 0.5℃(Full Scale)</li> <li>◆ INPUT<br/>3 INPUT Pt100Ω-3Wires (DIN IEC 751)</li> <li>◆ TEMPERATURE MEASURING RANGE<br/>-50~250℃</li> <li>◆ INPUT MEASURING CYCLE<br/>100m SEC</li> <li>◆ AMBIENT TEMPERATURE OPERATION<br/>-5to55℃</li> <li>◆ AMBIENT HUMIDITY OPERATION<br/>10 to 90% RH</li> <li>◆ TEMPERATURE INDICATION<br/>1℃</li> <li>◆ OUTPUT CONTACTS CAPACITY<br/>TRIP,ALARM,FAULT AC 250V 5A (Resistance Load)<br/>FAN AC 250V 10A (Resistance Load)<br/>CONTACT DC 30V 5A (Resistance Load)</li> <li>◆ DATA STORAGE<br/>10YEARS</li> </ul> | <ul style="list-style-type: none"> <li>◆ ANALOG OUTPUT<br/>DC 4~20mA (RANGE : 0~200℃ )<br/>Load Resistance Max 500Ω<br/>(INPUT/OUTPUT ISOLATION)<br/>The DC 4~20 mA output automatically refers to the hottest channel among the active ones.</li> <li>◆ POWER SUPPLY<br/>AC100 to 240V(±10%) 50/60Hz,DC100~300V</li> <li>◆ DIELECTRIC STRENGTH<br/>AC2000V for 1min</li> <li>◆ POWER CONSUMPTION<br/>10VA</li> <li>◆ INSULATION RESISTANCE<br/>500V DC 100M ohm Minimum</li> <li>◆ WEIGHT<br/>750g</li> </ul> |
|---|--|

## TERMINAL CONNECTION



## EXTERNAL DIMENSION



※주의※ 제품의 성능향상을 위하여 제품내용 및 사양은 통보없이 변경될 수 있습니다.  
 ※Caution※ Product contents and specifications are subject to change without notice to improve product performance.