

KN 801 DIGITAL TEMPERATURE CONTROLLER

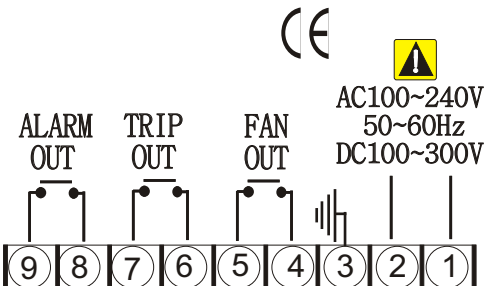
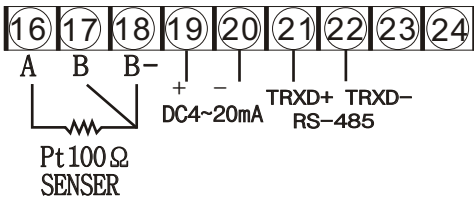
- FREE VOLTAGE
(AC100~240V(±10%) 50~60Hz, DC 100~300V USED)
- SIZE 100(W)X100(H)X132(D)mm
- 1 SENSOR INPUT(Pt100Ω)
- PROGRAM TYPE FUNCTION
(T.MAX VALUE, SETTING VALUE)
- TEMP, MAX FUNCTION
- DATA STORAGE FUNCTION
- FAN OUTPUT AUTO/MANUAL FUNCTION
- RTD(PT100Ω) 1EA



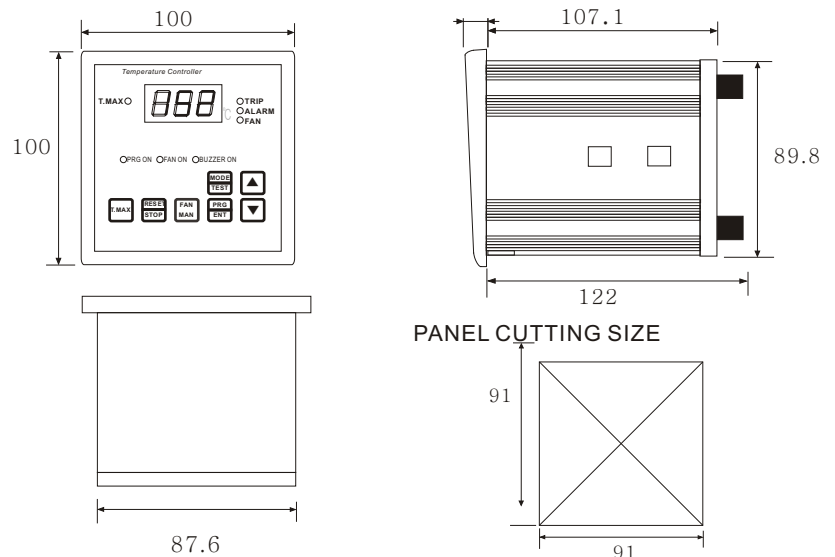
SPECIFICATION

◆ DIMENSION 100(W)X100(H)X132(D)mm	◆ DATA STORAGE 10YEARS
◆ ACCURACY +/- 0.5℃(Full Scale)	◆ SERIAL COMMUNICATION RS-485 MODBUS RTU (INPUT/OUTPUT ISOLATION)
◆ INPUT 1 INPUT Pt100Ω-3Wires (DIN IEC 751)	◆ POWER SUPPLY AC100 to 240V(±10%) 50~60Hz, DC100~300V
◆ TEMPERATURE MEASURING RANGE -50~250℃	◆ DIELECTRIC STRENGTH AC2000V for 1min
◆ INPUT MEASUREING CYCLE 100m SEC	◆ POWER CONSUMPTION 10VA
◆ AMBIENT TEMPERATURE OPERATION -20 to 60℃	◆ INSULATION RESISTANCE 500V DC 100M ohm Minimum
◆ AMBIENT HUMIDITY OPERATION 10 to 90% RH	◆ WEIGHT 750g
◆ TEMPERATURE INDICATION 1℃	
◆ OUTPUT CONTACTS CAPACITY TRIP, ALARM, FAULT AC 250V 5A (Resistance Load) FAN AC 250V 10A (Resistance Load) CONTACT DC 30V 5A (Resistance Load)	
◆ ANALOG OUTPUT DC 4~20mA (Load Resistance Max 500Ω) RANGE (0~200℃) (INPUT/OUTPUT ISOLATION)	

TERMINAL CONNECTION



EXTERNAL DIMENSION



※주의※ 제품의 성능향상을 위하여 제품내용 및 사양은 통보없이 변경될 수 있습니다.

※Caution※ Product contents and specifications are subject to change without notice to improve product performance.