

KN 805-PA3 DIGITAL TEMPERATURE CONTROLLER

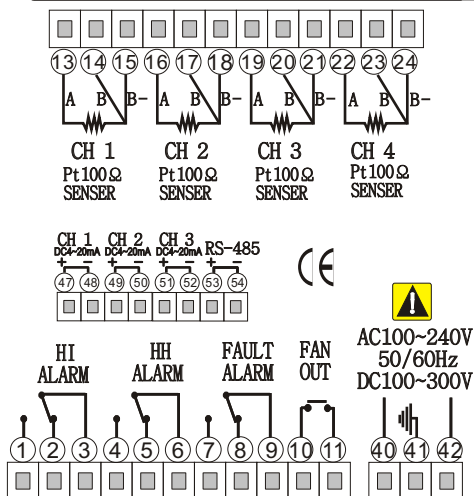
- TRANSFORMER TEMPERATURE CONTROLLER.
- 4 sensor input(Pt100Ω).
- 3 channels of current output (CH 1,CH 2,CH 3/R,S,T)
- Operation setting function for each channel(run/stop).
caution:"stop" selected channel is not displayed
- Program type function.
(Setting value)
- Temp, max storage function for each channel.
- Data storage function.
- Fan auto / manual function
- Buzzer function (FAULT ALARM, HI ALARM, HH ALARM).
- Test function for each input channel.
- Channels scanning
SCAN : ch1-2-3-4 scanning (9 sec)
AUTO :automatic hottest scanning.
MAN :manual scanning
- Scan time setting function(2~10 sec)
- Outputs delay time setting function
Fan (0.1~6.0 sec)
HI ALARM, HH ALARM (0.5~10.0 sec)



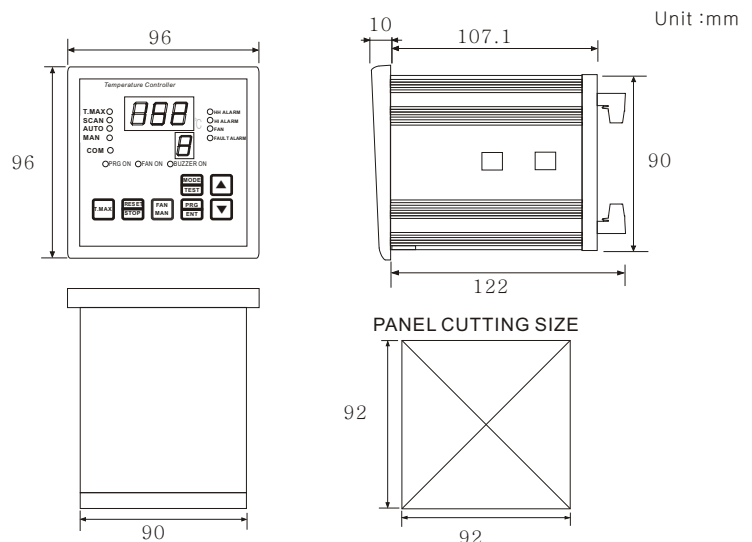
SPECIFICATION

- | | |
|---|--|
| <ul style="list-style-type: none"> ◆ INPUT
4 INPUT Pt100Ω-3Wires (DIN IEC 751) ◆ 4 INPUT
EMI FILTER, OVERVOLTAGE PROTECTION ◆ INPUT CHANNEL 1,2,3 OPERATE FAN HI,HHI,FAULT.
INPUT CHANNEL 4 OPERATE FAULT. ◆ ACCURACY
±0.5℃ (Full Scale) ◆ TEMPERATURE MEASURING RANGE
-50~250℃ ◆ TEMPERATURE INDICATION
1℃ ◆ AMBIENT TEMPERATURE
OPERATION -20 to 60℃ ◆ AMBIENT HUMIDITY
OPERATION 10 to 90% RH ◆ OUTPUT CONTACTS CAPACITY
HH ALARM, HI ALARM, FAULT ALARM, FAN
CONTACT AC 250V 10A (Resistance Load)
DC 30V 10A (Resistance Load)
FAN RELAY SURGE PROTECTION | <ul style="list-style-type: none"> ◆ ANALOG OUTPUT
3 OUTPUT (R, S, T / CH 1, CH 2, CH 3)
DC 4~20mA (RANGE:0~200℃) Load Resistance Max 500Ω
(INPUT/OUTPUT ISOLATION) ◆ SERIAL COMMUNICATION *(OPTION)
RS-485 MODBUS RTU ◆ DATA STORAGE
10YEARS ◆ POWER SUPPLY
AC100 to 240V(±10%) 50/60Hz,DC100~300V ◆ DIELECTRIC STRENGTH
AC2000V for 1min ◆ POWER CONSUMPTION
10VA ◆ INSULATION RESISTANCE
500V DC 100m ohm Minimum ◆ WEIGHT
750g |
|---|--|

TERMINAL CONNECTION



EXTERNAL DIMENSION



* NOTE: When the unit is powered the fault relay 7-9 closed and it opens again in case of fault condition.

※주의※ 제품의 성능향상을 위하여 제품내용 및 사양은 통보없이 변경될 수 있습니다.

※Caution※ Product contents and specifications are subject to change without notice to improve product performance.